

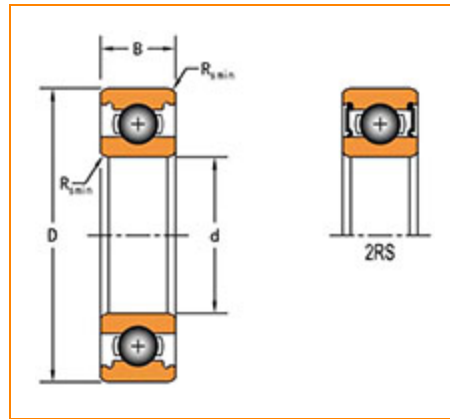
**TIMKEN**

The Timken Company  
4500 Mt Pleasant St. NW  
N. Canton, OH 44720  
Phone: (234) 262-3000

E-Mail: [CustomerCAD@timken.com](mailto:CustomerCAD@timken.com) • Web site: [www.timken.com](http://www.timken.com)

## Part Number 61806-2RS-C3, Thin Section Ball Bearings (61700, 61800, 61900)

Timken's deep groove ball bearings deliver reliable performance in a wide range of applications and conditions. With super-finished raceways and controlled geometries, our premium design helps ensure consistent quality.



[Specifications](#) | [Dimensions](#) | [Basic Load Ratings](#) | [Factors](#)

### Specifications

Clearance	C3
Bore Size d	30.000 mm
Features	Contact Seals
Weight	0.023 Kg

### Dimensions

Outside Diameter D	42.000 mm
Outside Ring Width B	7.000 mm
Radius Rs min	0.300 mm



## Basic Load Ratings

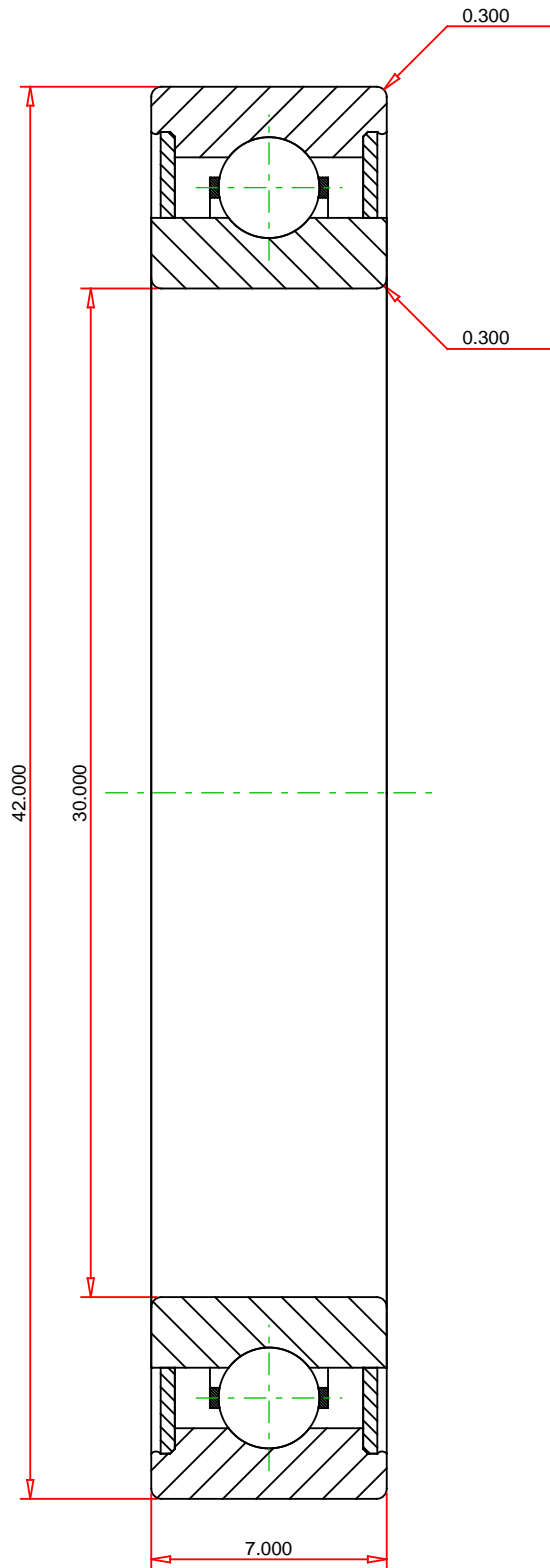
**Cr - Dynamic Load Rating** 4.5 kN

**C0r - Static Load Rating** 3.4 kN

## Factors

**Grease Limiting Speed** 15000 rpm

**Oil Limiting Speed** 18000 rpm



METRIC UNITS

Weight 0.023 kg

**TIMKEN**®

**THE TIMKEN COMPANY**  
NORTH CANTON, OHIO USA

**61806-2RS-C3**  
Thin Section Ball Bearings (61700, 61800, 61900)

Dynamic Load Rating 4500 N  
Static Load Rating 3400 N

Every reasonable effort has been made to ensure the accuracy of the information contained in this writing, but no liability is accepted for errors, omissions or for any other reason.

**FOR DISCUSSION ONLY**